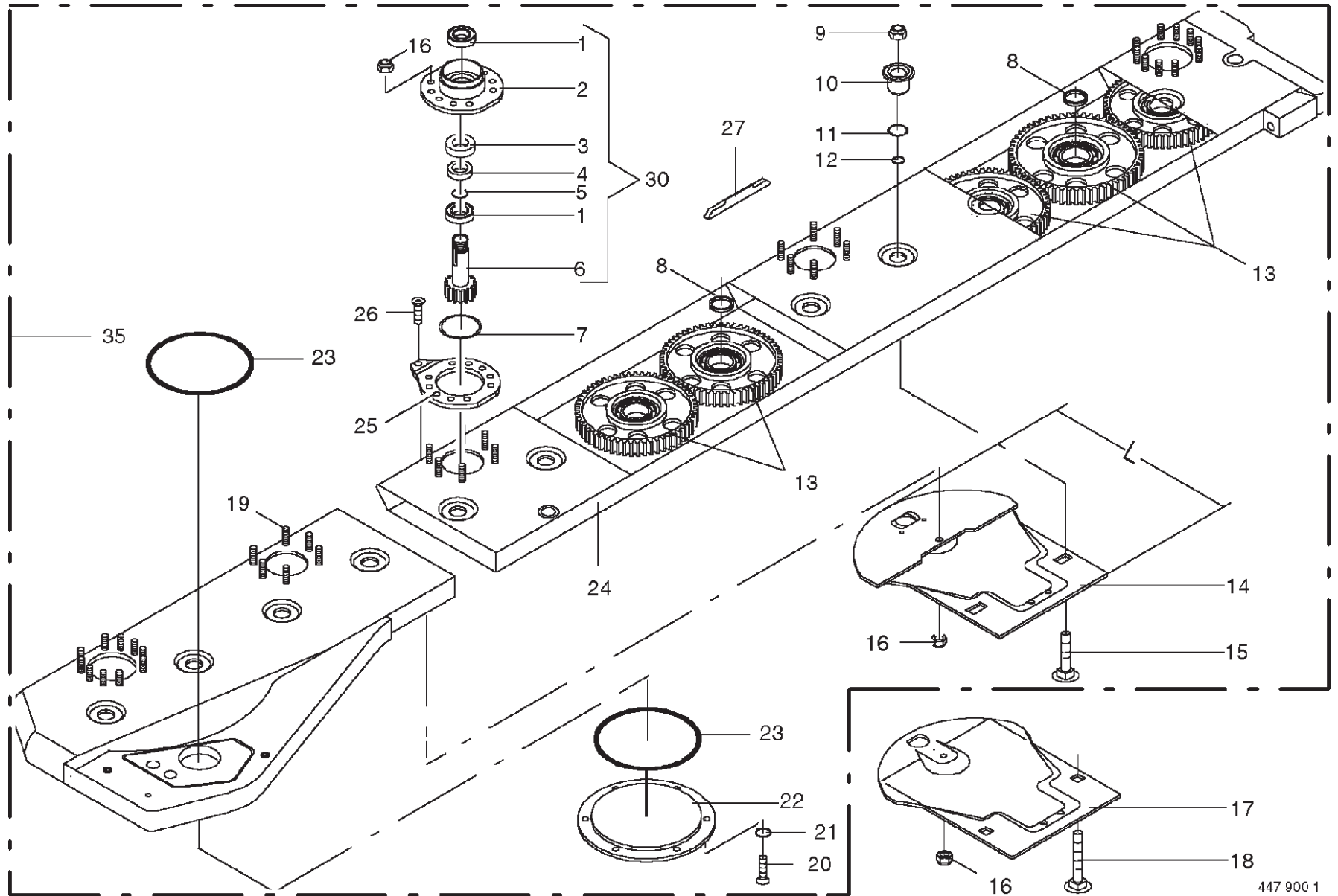


Table Of Contents

Mower Beam with Bearings2
Mower Beam with Bearings4
Cutting Discs6
Main Gearbox8
V-Belt Pulley10
Headstock12
Carrier Beam14
V-Belt Guards16
Hydraulics18
Flotation Springs20
Safety Frame22
Swath Boards24
High Cut Skids26
PTO Shaft28

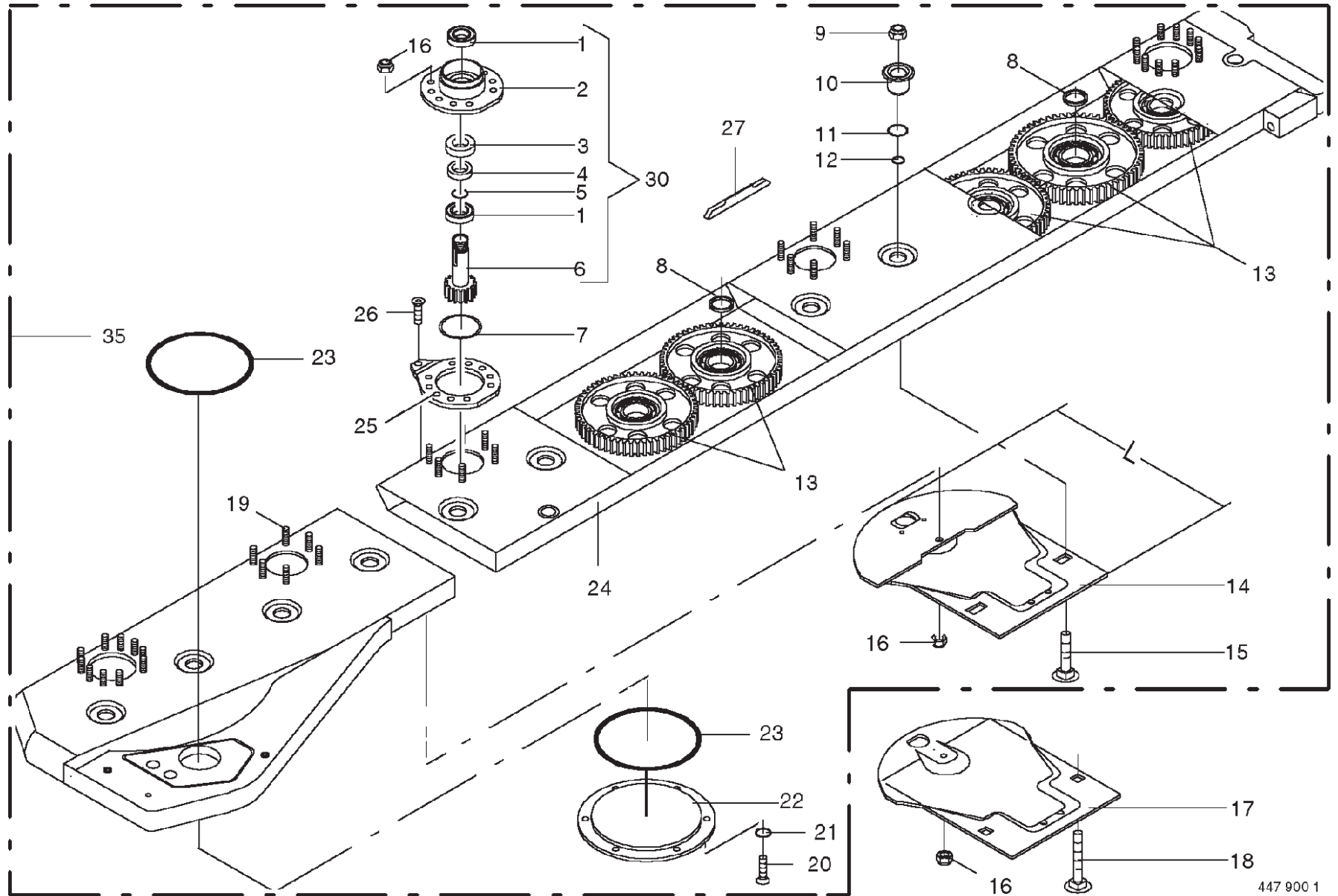


447 900 1

Mower Beam with Bearings

Mower Beam with Bearings

Item	Part Number	Description	Serial # Ranges	AM-167	AM-202	AM-242	AM-282	AM-322	Notes
1	930.536.1	Bearing		X	X	X	X	X	6206 2RS
2	144.495.5	Bearing Housing		X	X	X	X	X	
3	936.150.2	Radial Seal		X	X	X	X	X	BA 40 X 55 X 7
4	144.140.3	Spacer Ring		X	X	X	X	X	
5	937.525.0	O-Ring		X	X	X	X	X	30 X 2
6	144.139.7	Pinion		X	X	X	X	X	16 Teeth
7	937.553.0	O-Ring		X	X	X	X	X	78.5 X 6.0
8	144.238.4	Washer		7	9	11	13	15	40 X 54 X 4.5
9	909.605.0	Self-Locking Nut		8	10	12	14	16	M14 X 1.5
10	145.095.3	Clamping Piece		7	9	11	13	15	
11	937.511.0	O-Ring		7	9	11	13	15	45 X 4
12	937.523.1	O-Ring		7	9	11	13	15	28 X 3.0
13	139.190.0	Spur Gear		7	9	11	13	13	Z=59
	250.270.0	Spur Gear						2	Z=56
14	139.666.0	Skid		4	5	6	7	8	L=357mm
15	144.937.2	Flat Round Bolt		8	10	12	14	16	M14 X 1.5 X 40
16	908.758.0	Hex Nut		X	X	X	X	X	NM10
17	139.665.0	Wear Skid		4	5	6	7	8	
18	144.946.2	Flat Round Bolt		8	10	12	14	16	M14 X 1.5 X 45
19	906.432.1	Weld-on Stud		32	38	44	50	56	
20	904.044.0	Countersunk Screw		X	X	X	X	X	M10 X 20
21	937.004.0	O-Ring		X	X	X	X	X	10.0 X 1.3
22	145.635.1	Cover		X	X	X	X	X	
23	937.510.0	O-Ring		X	X	X	X	X	196.45 X 3.53
24	145.119.7	Cutterbar Shell		X					
	145.120.8	Cutterbar Shell			X				
	139.130.1	Cutterbar Shell				X			
	139.131.0	Cutterbar Shell					X		
	139.205.0	Cutterbar Shell						X	
25	145.483.0	Skid Holder - 10 Hole		4	5	6	7	8	
26	904.045.1	Countersunk Screw		4	5	6	7	8	M10 X 25
	904.047.1	Countersunk Screw		4	5	6	7	8	M10 X 35
27	144.346.2	Stop Bar		3	4	5	6	7	
30	144.533.0	Bearing Housing Complete		4	5	6	7	8	
35	145.565.0	Mower Bar Complete		X					
	145.566.0	Mower Bar Complete			X				
	145.567.1	Mower Bar Complete				X			
	145.568.0	Mower Bar Complete					X		

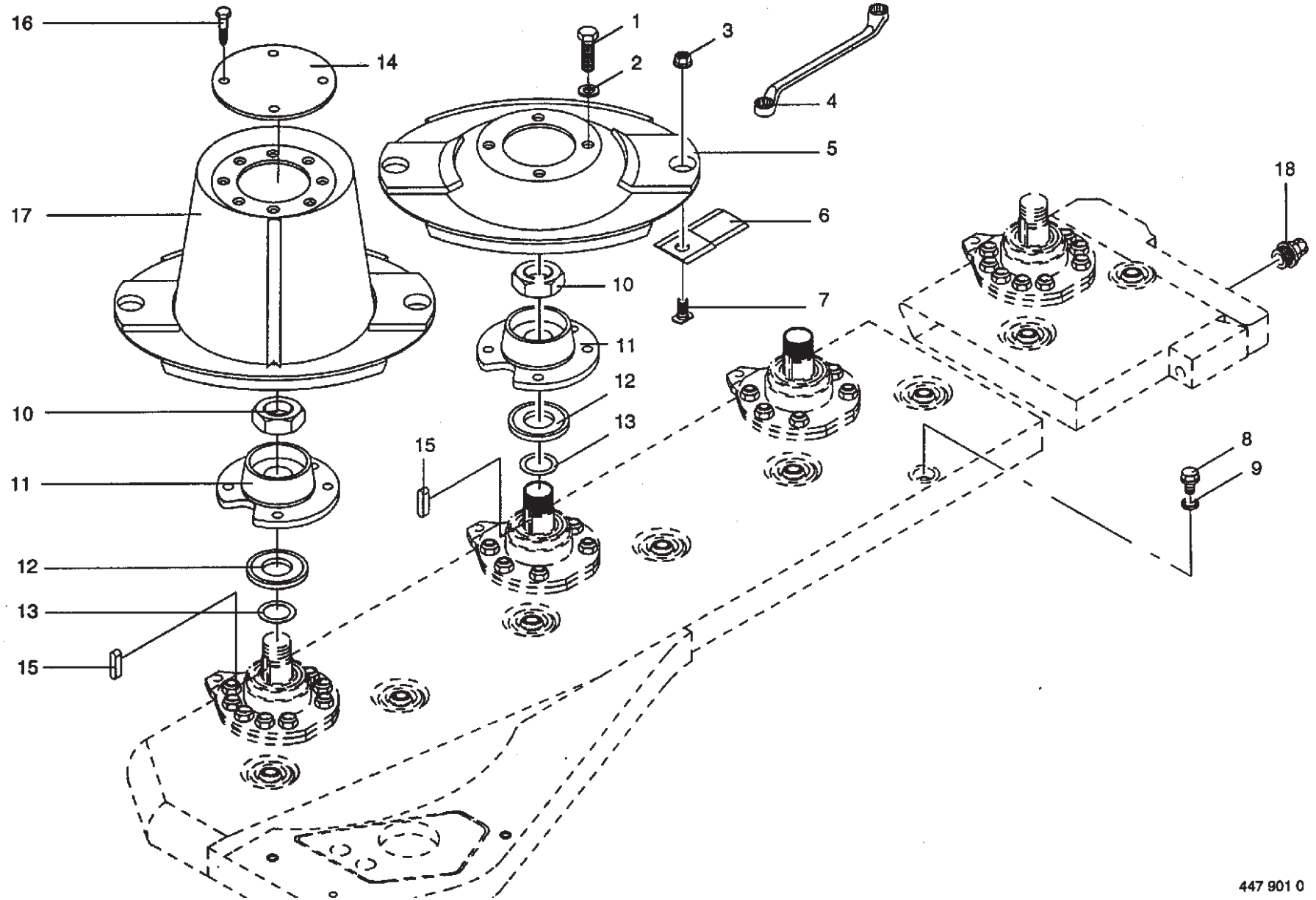


447 900 1

Mower Beam with Bearings

Mower Beam with Bearings

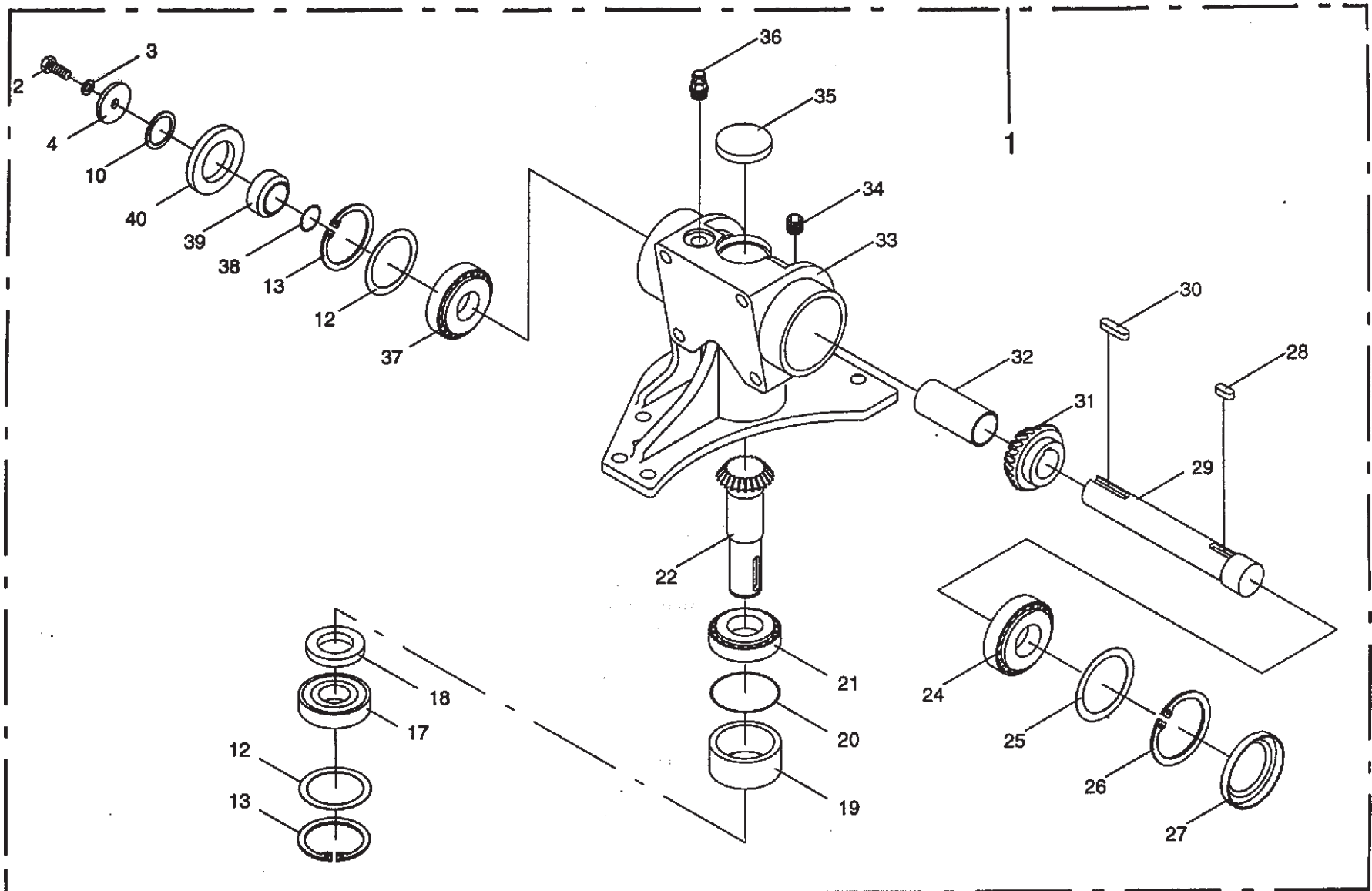
Item	Part Number	Description	Serial # Ranges	AM-167	AM-202	AM-242	AM-282	AM-322	Notes
35	139.347.0	Mower Bar Complete						X	



Cutting Discs

Cutting Discs

Item	Part Number	Description	Serial # Ranges	AM-167	AM-202	AM-242	AM-282	AM-322	Notes
1	900.632.0	Hex Head Bolt		X	X	X	X	X	M10 X 16
2	910.111.1	Spring Washer		X	X	X	X	X	B 10
3	909.602.1	Self-Locking Nut		8	10	12	14	16	
4	925.303.1	Wrench		X	X	X	X	X	
5	139.160.0	Cutting Disc		2	3	4	5	6	
6	146.690.1	Blade L/H		4	5	6	7	8	
	146.691.1	Blade R/H		4	5	6	7	8	
7	141.053.4	Blade Bolt		8	10	12	14	16	
8	906.007.0	Screw Plug		X	X	X	X	X	M16 X 1.5
9	937.721.0	Gasket Ring		X	X	X	X	X	16 X 22 X 1.5
10	908.536.0	Hex Nut		X	X	X	X	X	M27 X 1.5
11	144.138.4	Hub		4	5	6	7	8	
12	909.935.0	Cup Spring		X	X	X	X	X	
13	910.863.0	Shim		X	X	X	X	X	30 X 42 X .5
14	144.943.2	Cover		X	X	X	X	X	
15	915.105.0	Flat Key		X	X	X	X	X	B 10 X 8 X 25
16	906.948.0	Self-Tapping Screw		X	X	X	X	X	B 6.3 X 13
17	250.701.0	Cutting Drum		2	2	2	2	2	
18	919.811.0	Breather		X	X	X	X	X	M18 X 1.5

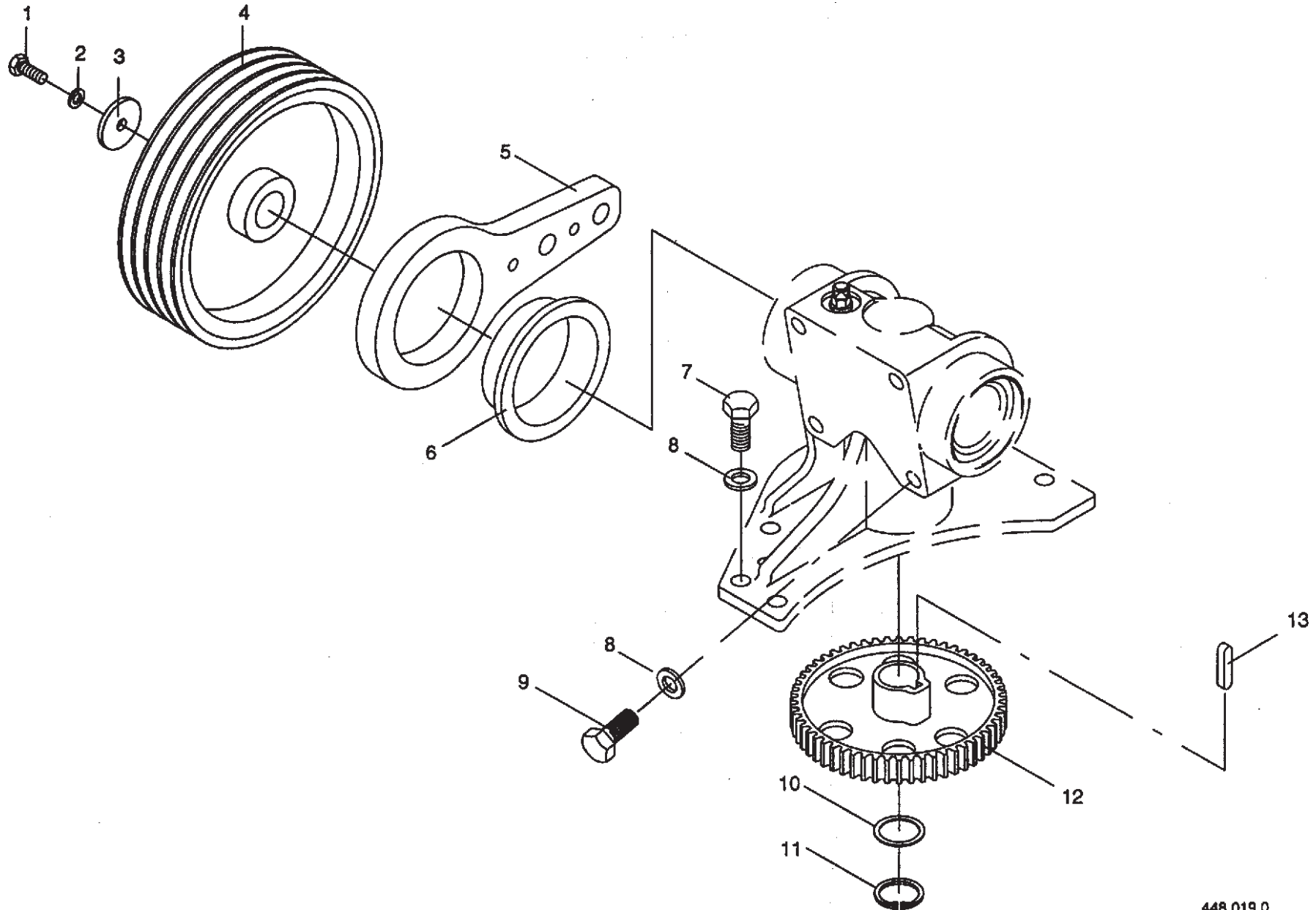


447 869 1

Main Gearbox

Main Gearbox

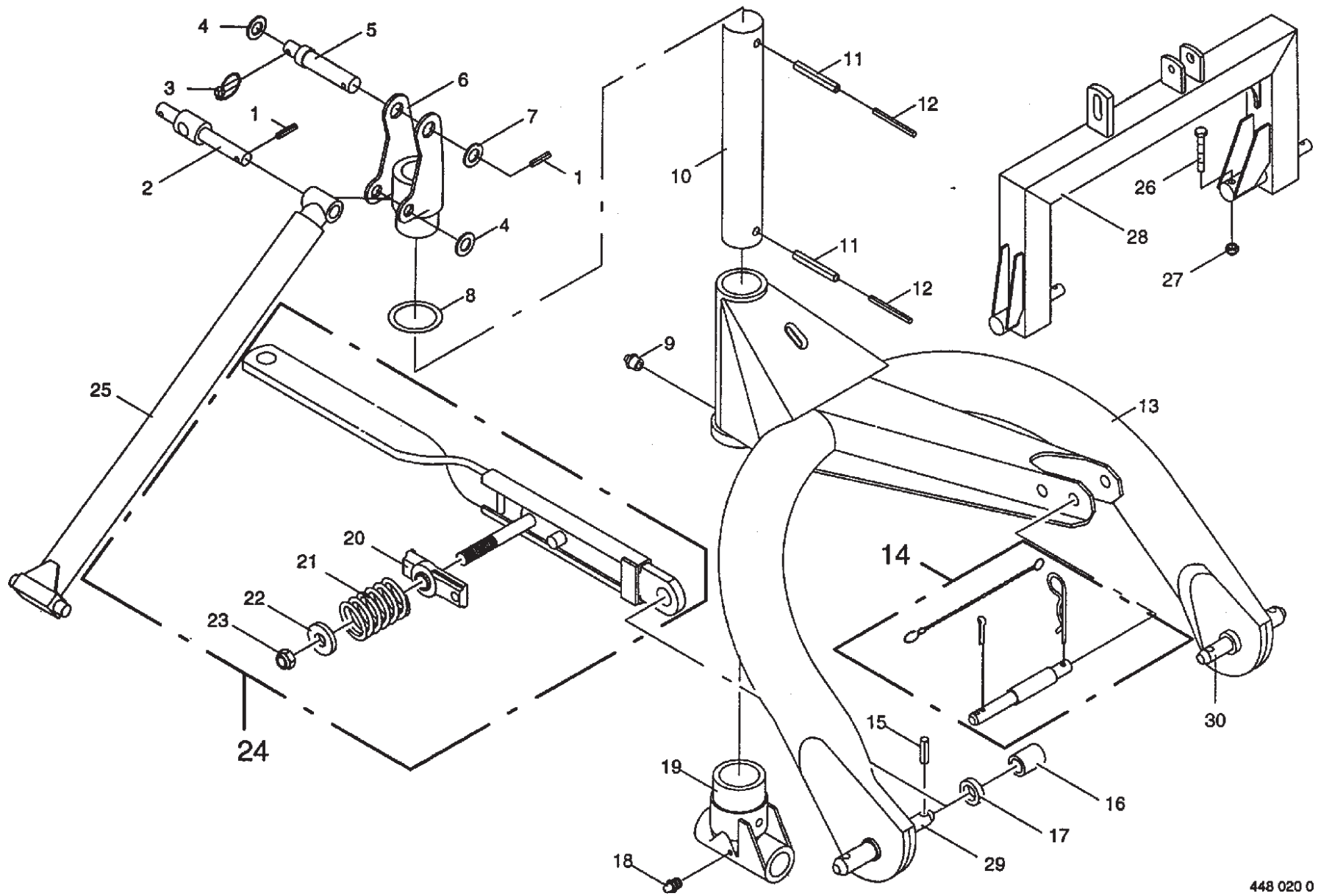
Item	Part Number	Description	Serial # Ranges	AM-167	AM-202	AM-242	AM-282	AM-322	Notes
1	145.562.0	Main Gearbox Complete		X	X	X	X	X	
2	900.636.0	Hex Head Bolt		X	X	X	X	X	M10 X 25
3	910.111.1	Spring Washer		X	X	X	X	X	B 10
4	910.639.1	Washer		X	X	X	X	X	11 X 48 X 5
10	911.136.1	Shim		X	X	X	X	X	35 X 45 X 2.0
12	910.964.0	Shim		X	X	X	X	X	63 X 80 X 1.0
	910.963.0	Shim		X	X	X	X	X	63 X 80 X .5
	910.962.0	Shim		X	X	X	X	X	63 X 80 X .3
	910.960.0	Shim		X	X	X	X	X	63 X 80 X .1
13	911.673.0	Circlip		X	X	X	X	X	180 X 2.5
17	930.567.0	Bearing		X	X	X	X	X	6307 2RS
18	936.352.1	Radial Seal		X	X	X	X	X	B2 40 X 65 X 10
19	145.208.0	Spacer Bushing		X	X	X	X	X	
20	937.516.1	O-Ring		X	X	X	X	X	78 X 2
21	932.153.0	Tapered Roller Bearing		X	X	X	X	X	32208 A
22	145.206.2	Pinion Shaft		X	X	X	X	X	Z=16
24	932.137.0	Tapered Roller Bearing		X	X	X	X	X	30308 A
25	910.974.0	Shim		X	X	X	X	X	70 X 90 X 1.0
	910.973.0	Shim		X	X	X	X	X	70 X 90 X .5
	910.972.0	Shim		X	X	X	X	X	70 X 90 X .3
	910.970.0	Shim		X	X	X	X	X	70 X 90 X .1
26	911.680.0	Circlip		X	X	X	X	X	190 X 3.0
27	925.200.0	Core Plug		X	X	X	X	X	90
28	915.105.0	Flat Key		X	X	X	X	X	B 10 X 8 X 25
29	145.207.0	Gearbox Shaft		X	X	X	X	X	
30	915.123.0	Flat Key		X	X	X	X	X	B 10 X 8 X 40
31	145.205.1	Bevel Gear		X	X	X	X	X	Z=20
32	145.209.1	Distance Tube		X	X	X	X	X	
33	145.097.5	Gearbox Housing		X	X	X	X	X	
34	906.039.0	Screw Plug		X	X	X	X	X	M18 X 1.5
35	925.202.2	Core Plug		X	X	X	X	X	62
36	919.811.0	Breather		X	X	X	X	X	M18 X 1.5
37	932.136.0	Tapered Roller Bearing		X	X	X	X	X	30307 A
38	937.525.0	O-Ring		X	X	X	X	X	30 X 2
39	144.567.1	Spacer Bushing		X	X	X	X	X	
40	936.300.0	Radial Seal		X	X	X	X	X	B2 50 X 80 X 10



V-Belt Pulley

V-Belt Pulley

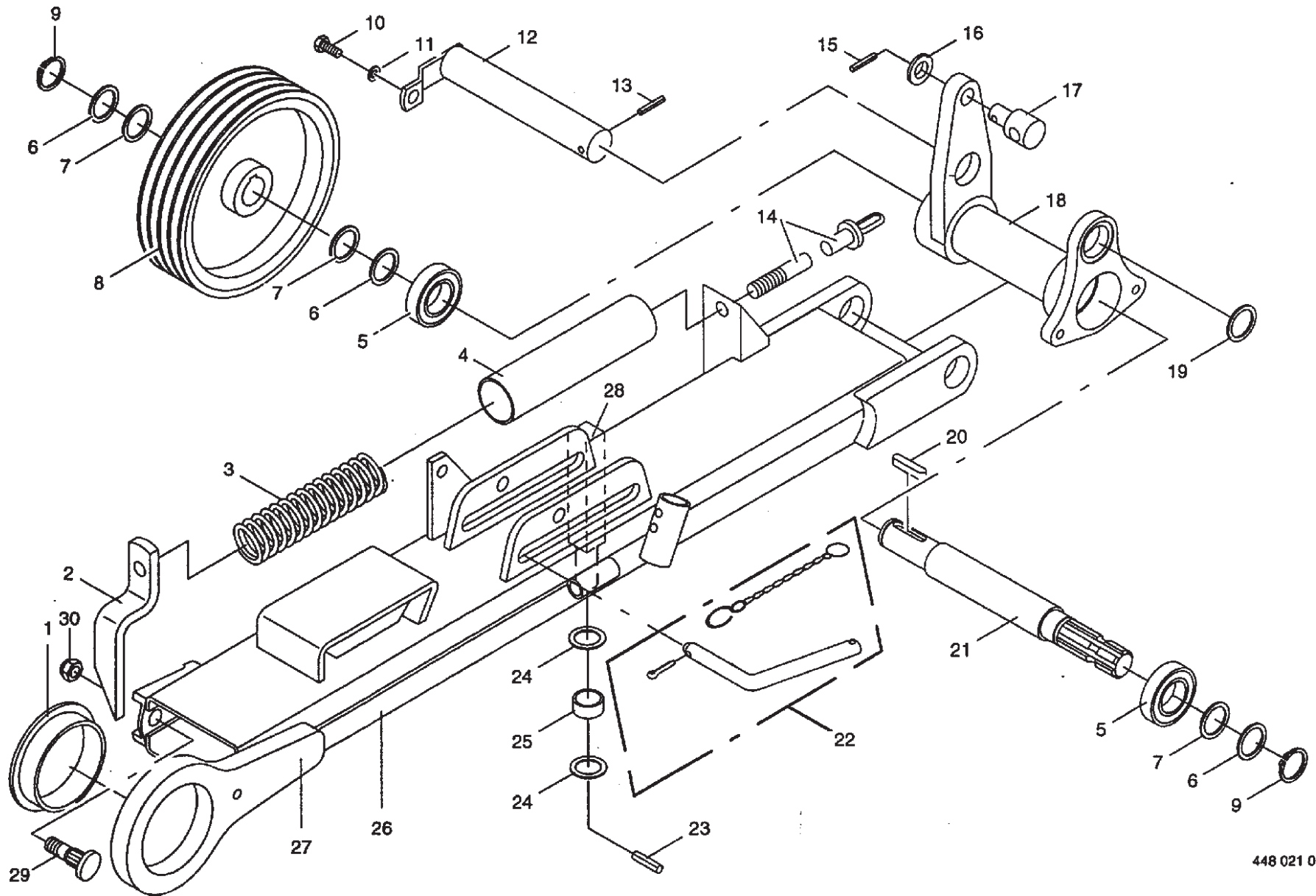
Item	Part Number	Description	Serial # Ranges	AM-167	AM-202	AM-242	AM-282	AM-322	Notes
1	900.636.0	Hex Head Bolt		X	X	X	X	X	M10 X 25
2	910.111.1	Spring Washer		X	X	X	X	X	B 10
3	910.639.1	Washer		X	X	X	X	X	11 X 48 X 5
4	144.514.0	V-Belt Pulley		X	X				DW 213 - 3 Belts
	151.211.3	V-Belt Pulley				X	X	X	DW 200 - 4 Belts
5	139.385.0	Hinge Plate		X	X	X	X	X	
6	145.134.1	Collar Gear		X	X	X	X	X	
7	900.674.0	Hex Head Bolt		X	X	X	X	X	M16 X 35
8	910.014.0	Spring Washer		X	X	X	X	X	B 16
9	900.335.1	Hex Head Bolt		X	X	X	X	X	M16 X 30
10	910.727.0	Washer		X	X	X	X	X	S 35 X 45 X 2.5
	911.133.0	Shim		X	X	X	X	X	35 X 45 X .5
	911.132.0	Shim		X	X	X	X	X	35 X 45 X .3
11	911.541.0	Circlip		X	X	X	X	X	A 35 X 1.5
12	144.339.3	Spur Gear		X	X	X	X	X	Z=59
13	915.124.1	Flat Key		X	X	X	X	X	A 10 X 8 X 45



Headstock

Headstock

Item	Part Number	Description	Serial # Ranges	AM-167	AM-202	AM-242	AM-282	AM-322	Notes
1	912.673.0	Roll Pin		X	X	X	X	X	8 X 36
2	145.266.1	Pin		X	X	X	X	X	Rd. 35 X 172
3	917.006.0	Lynch Pin		X	X	X	X	X	6 X 42
4	910.512.2	Washer		X	X	X	X	X	B 21
5	145.267.3	Pin		X	X	X	X	X	Rd. 30 X 140
6	144.550.3	Pressure Spring		X	X	X	X	X	
7	910.514.1	Washer		X	X	X	X	X	26 X 44 X 4
8	910.964.0	Shim		X	X	X	X	X	63 X 80 X 1.0
9	919.105.0	Grease Fitting		X	X	X	X	X	AM 8 X 1
10	144.553.1	Shaft		X	X	X	X	X	
11	912.780.1	Roll Pin		X	X	X	X	X	13 X 75
12	912.681.1	Roll Pin		X	X	X	X	X	8 X 75
13	139.321.0	Headstock		X	X	X	X	X	Cat. I & II
14	144.141.2	Upper Link Pin		X	X	X	X	X	Cat. I & II
15	912.744.0	Roll Pin		X	X	X	X	X	12 X 40
16	145.108.1	Spacer Bushing		X	X	X	X	X	
17	145.107.2	Spacer Ring		X	X	X	X	X	
18	919.106.0	Grease Fitting		X	X	X	X	X	BM 8 X 1
19	144.555.3	Pivot Mount		X	X	X	X	X	
20	139.054.0	Ratchet		X	X	X	X	X	
21	139.178.0	Pressure Spring		X	X	X	X	X	
22	910.649.0	Washer		X	X	X	X	X	21 X 50 X 8
23	908.721.0	Hex Nut		X	X	X	X	X	NM20
24	145.405.3	Safety Breakaway		X	X	X	X	X	
25	145.268.1	Guide Rail		X	X	X	X	X	
26	901.122.0	Hex Head Bolt		X	X	X	X	X	M12 X 70
27	908.711.1	Hex Nut		X	X	X	X	X	NM12
28	145.605.0	Tension Spring		X	X	X	X	X	Includes Items 14, 26, 27
29	145.098.1	Lower Link Pin		X	X	X	X	X	Rd. 35 X 198
30	144.802.2	Lower Link Pin		X	X	X	X	X	Rd. 35 X 170

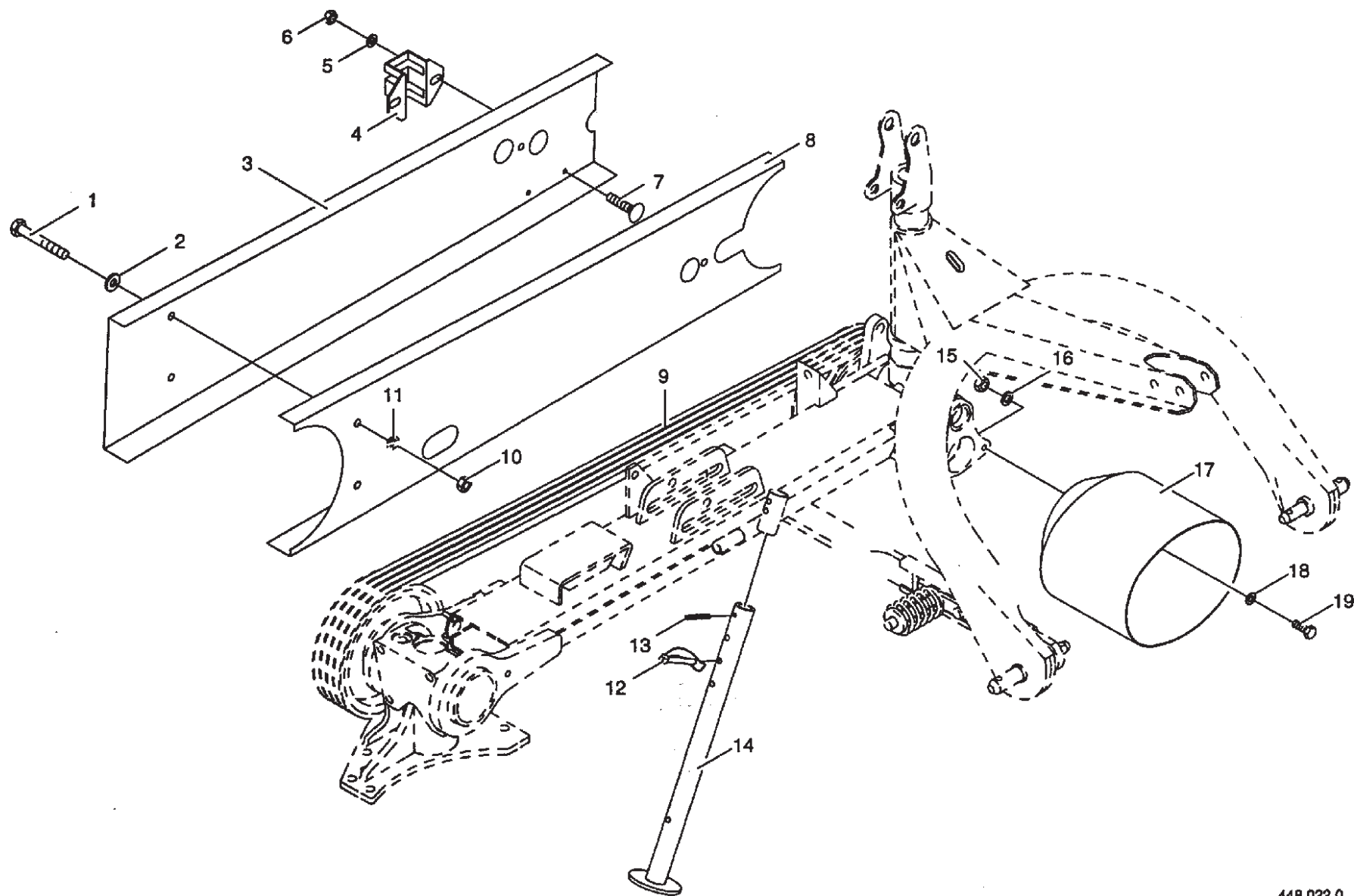


448 021 0

Carrier Beam

Carrier Beam

Item	Part Number	Description	Serial # Ranges	AM-167	AM-202	AM-242	AM-282	AM-322	Notes
1	145.134.1	Collar Gear		X	X	X	X	X	
2	145.356.1	Strap with Threaded Portion		X	X	X	X	X	
3	146.620.0	Pressure Spring		X	X	X	X	X	
4	145.917.0	Spring Support		X	X				
	145.918.0	Spring Support				X	X	X	
5	930.537.0	Bearing		X	X	X	X	X	6207 2RS
6	910.727.0	Washer		X	X	X	X	X	S 35 X 45 X 2.5
7	911.132.0	Shim		X	X	X	X	X	35 X 45 X .3
	911.133.0	Shim		X	X	X	X	X	35 X 45 X .5
	911.134.0	Shim		X	X	X	X	X	35 X 45 X 1.0
8	143.523.1	V-Belt Pulley		X	X				DW 268
	151.329.2	V-Belt Pulley				X	X	X	DW 251
9	911.541.0	Circlip		X	X	X	X	X	A 35 X 1.5
10	900.636.0	Hex Head Bolt		X	X	X	X	X	M10 X 25
11	910.111.1	Spring Washer		X	X	X	X	X	B 10
12	145.904.1	Axle		X	X	X	X	X	
13	912.672.0	Roll Pin		X	X	X	X	X	8 X 50
14	145.256.1	Adjusting Screw		X	X	X	X	X	
15	912.670.0	Roll Pin		X	X	X	X	X	8 X 40
16	910.512.2	Washer		X	X	X	X	X	B 21
17	145.258.0	Pin		X	X	X	X	X	Rd. 35 X 64
18	145.294.0	V-Belt Pulley Bearing		X	X	X	X	X	
19	910.892.0	Shim		X	X	X	X	X	40 X 50 X 2.0
20	915.123.0	Flat Key		X	X	X	X	X	B 10 X 8 X 40
21	144.537.1	Shaft		X	X	X	X	X	
22	144.588.1	Safety Pin		X	X	X	X	X	
23	912.714.0	Roll Pin		X	X	X	X	X	10 X 40
24	910.865.0	Shim		X	X	X	X	X	30 X 42 X 2.0
25	145.389.0	Spacer		X	X	X	X	X	
26	145.135.7	Supporting Beam		X	X	X	X	X	
27	139.386.0	Hinge Plate		X	X	X	X	X	
28	145.233.0	Pin		X	X	X	X	X	
29	910.250.1	Wheel Pin		2	2	2	2	2	18 X 1.5 X 57
30	910.225.0	Nut		2	2	2	2	2	A 18 X 1.5

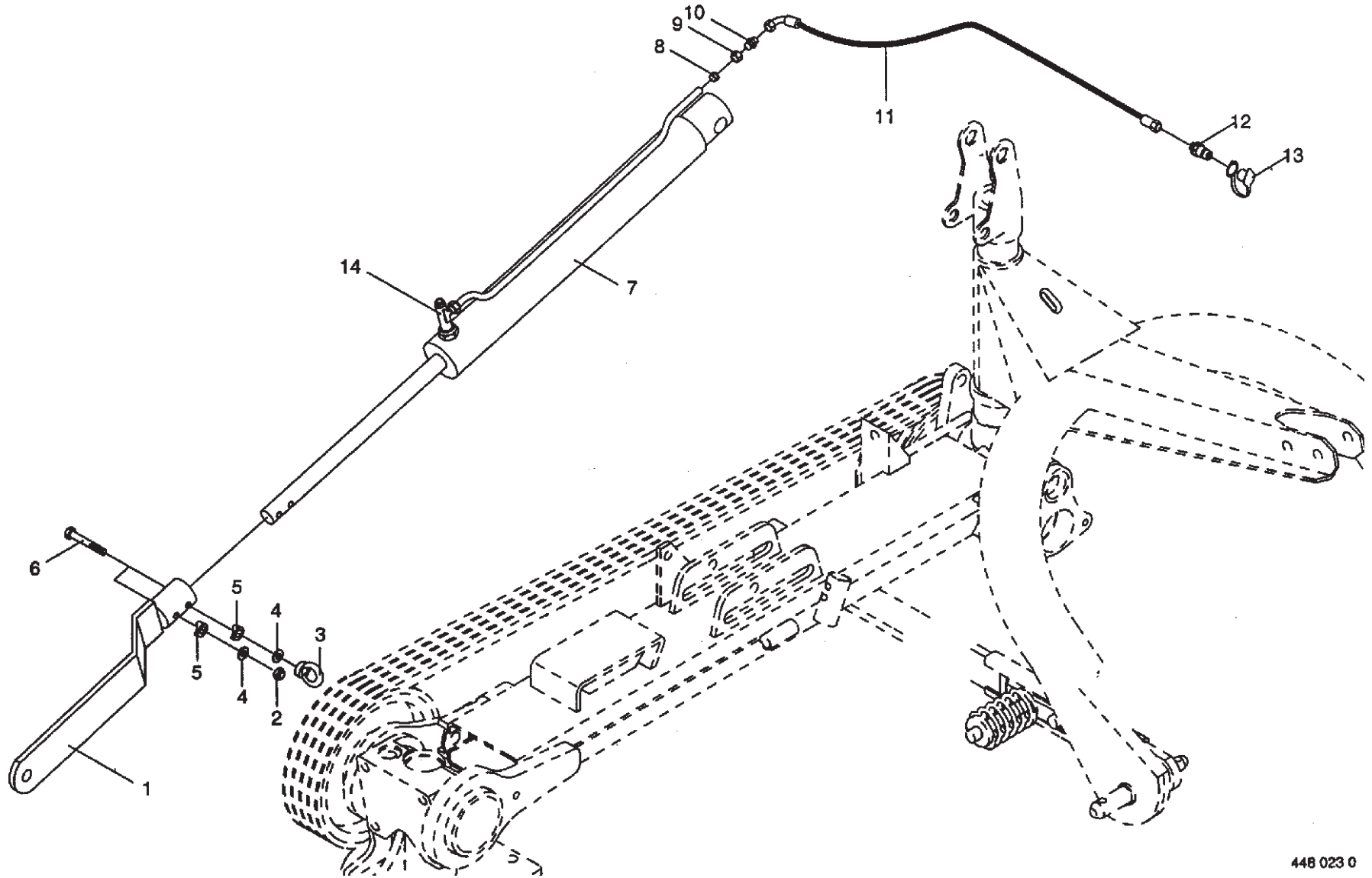


448 022 0

V-Belt Guards

V-Belt Guards

Item	Part Number	Description	Serial # Ranges	AM-167	AM-202	AM-242	AM-282	AM-322	Notes
1	901.460.0	Hex Head Bolt		X	X				M12 X 100
	901.462.0	Hex Head Bolt				X	X	X	M12 X 120
2	910.506.0	Washer		X	X	X	X	X	14
3	145.175.2	Rear V-Belt Guard		X	X				
	145.379.2	Rear V-Belt Guard				X	X	X	
4	145.912.1	Light Support		X	X	X	X	X	
5	910.033.0	Spring Washer		X	X	X	X	X	B 8
6	908.210.0	Hex Nut		X	X	X	X	X	M8
7	904.730.0	Flat Round Bolt		X	X	X	X	X	M8 X 16
8	145.357.2	Front V-Belt Guard		X	X				
	145.358.4	Front V-Belt Guard				X	X	X	
9	921.522.1	V-Belt Set		X	X				SPB 3265 - 3 Belts
	921.523.2	V-Belt Set				X	X		SPB 3225 - 4 Belts
	921.519.0	V-Belt Set						X	SPB 3225 - 4 Belts
10	908.215.0	Hex Nut		X	X	X	X	X	M12
11	910.035.0	Spring Washer		X	X	X	X	X	B 12
12	917.000.1	Lynch Pin		X	X	X	X	X	8 X 50
13	912.672.0	Roll Pin		X	X	X	X	X	8 X 50
14	145.907.0	Jack Stand		X	X	X	X	X	
15	908.212.0	Hex Nut		X	X	X	X	X	M10
16	910.111.1	Spring Washer		X	X	X	X	X	B 10
17	270.193.2	Protecting Cup		X	X	X	X	X	
18	910.353.0	Washer		X	X	X	X	X	R 11
19	900.636.0	Hex Head Bolt		X	X	X	X	X	M10 X 25

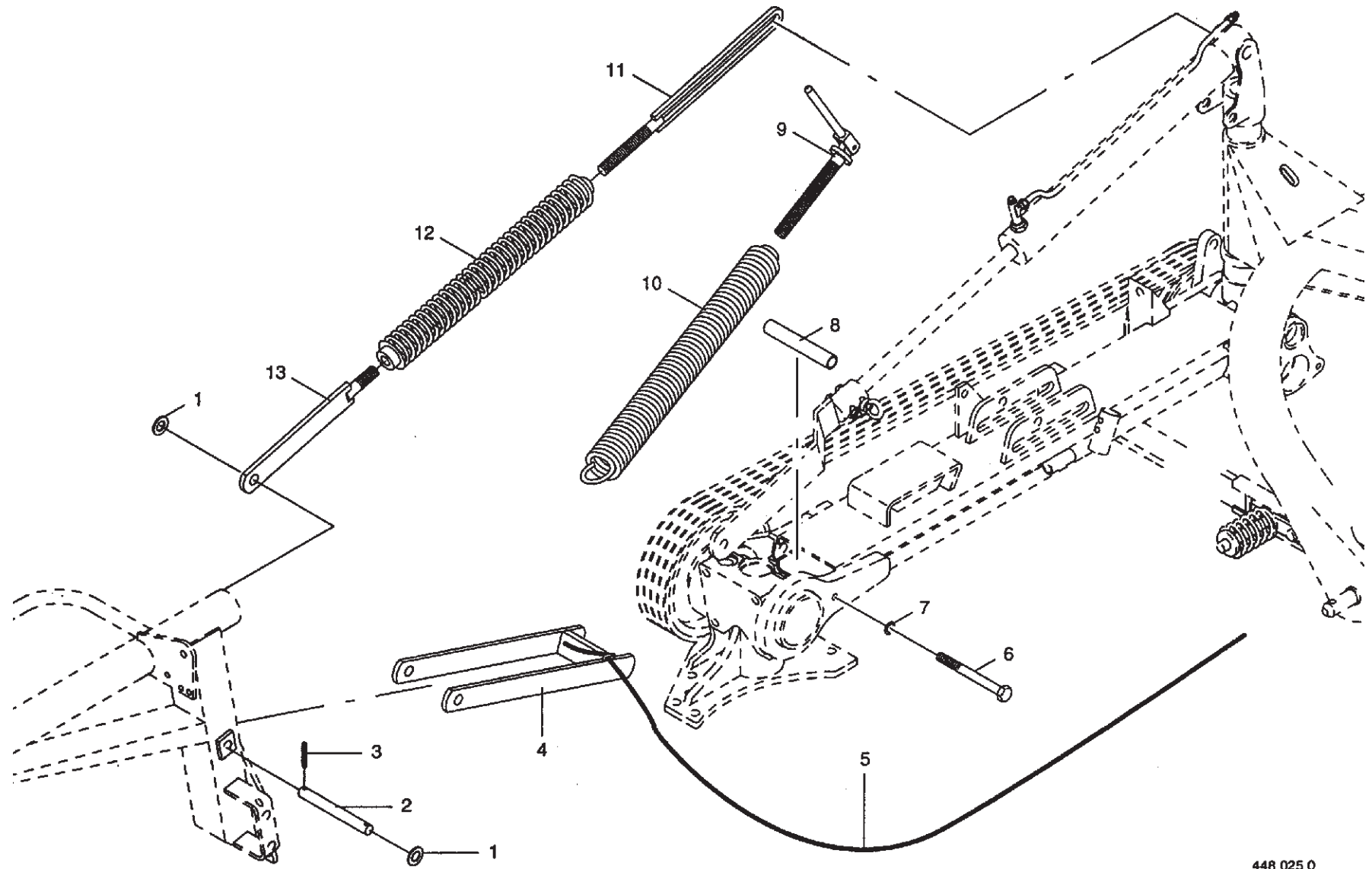


448 023 0

Hydraulics

Hydraulics

Item	Part Number	Description	Serial # Ranges	AM-167	AM-202	AM-242	AM-282	AM-322	Notes
1	145.263.4	Connecting Link		X	X	X	X		
	145.705.3	Connecting Link						X	
2	908.758.0	Hex Nut				1	1	1	NM10
3	909.502.0	Annular Nut		1	1	1	1	1	M10
4	910.414.0	Washer		1	1	2	2	2	A 10.5
5	153.021.0	Shim		1	1	2	2	2	
6	901.622.3	Hex Head Bolt		1	1	2	2	2	M10 X 70
7	145.924.0	Hydraulic Cylinder		X	X	X			
	921.407.1	Seal Kit		X	X	X			
	145.925.0	Hydraulic Cylinder					X	X	
	921.424.1	Seal Kit					X	X	
8	921.046.1	Cutting Ring		X	X	X	X	X	L 12
9	921.206.0	Union Nut		X	X	X	X	X	AL 12
10	921.054.1	Connector		X	X	X	X	X	L 12
11	920.989.0	High Pressure Hose		X	X	X	X	X	2000mm Long
12	921.145.0	Plug		X	X	X	X	X	M18 X 1.5
13	921.171.0	Dust Cap		X	X	X	X	X	
14	921.234.0	Adjustable Restrictor		X	X	X	X	X	

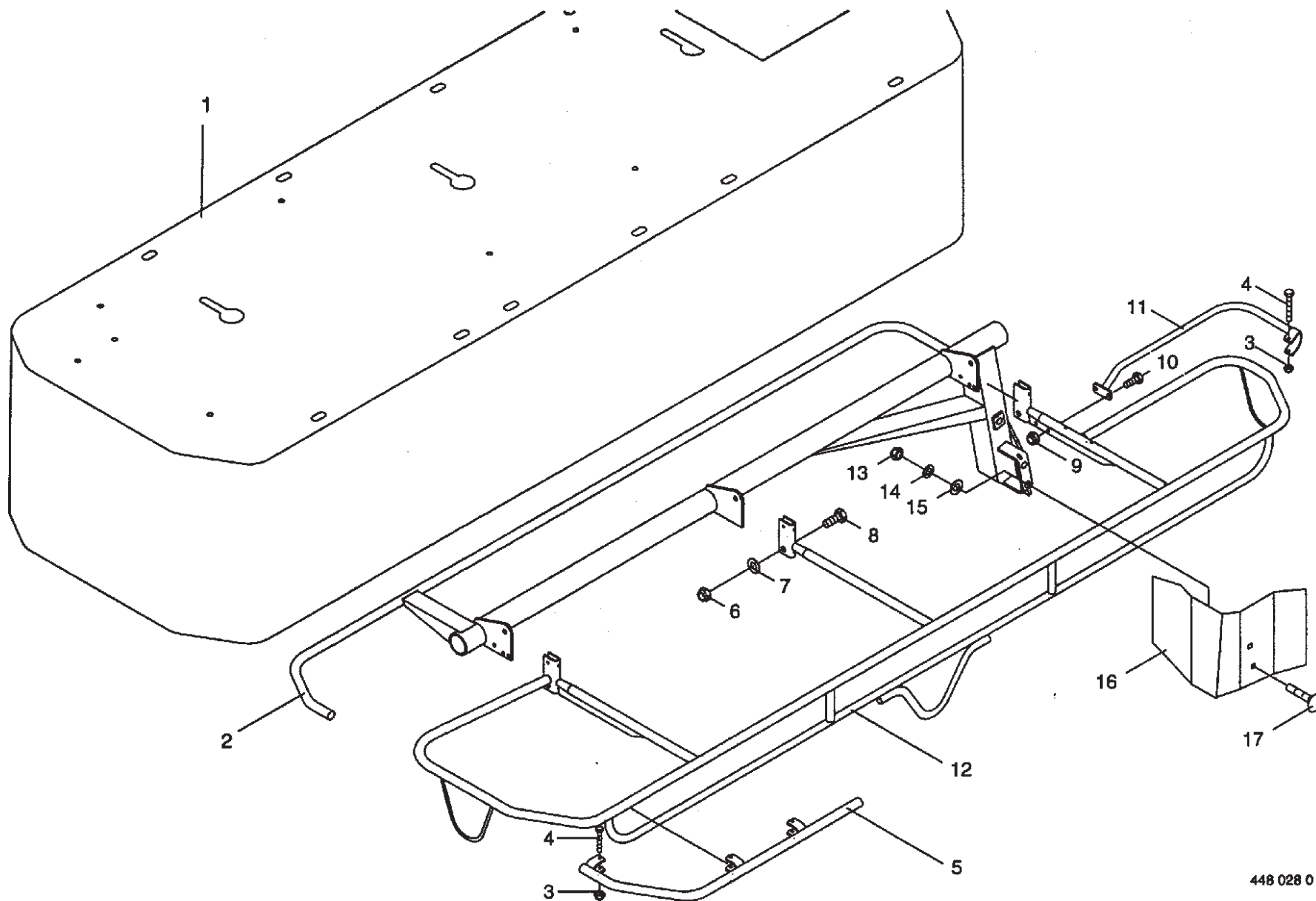


448 025 0

Flotation Springs

Flotation Springs

Item	Part Number	Description	Serial # Ranges	AM-167	AM-202	AM-242	AM-282	AM-322	Notes
1	910.512.2	Washer		X	X	X	X	X	B 21 Rd. 20 X 173 8 X 50
2	145.441.1	Pin		X	X	X	X	X	
3	912.672.0	Roll Pin		X	X	X	X	X	
4	145.260.3	Ratchet		X	X	X	X		
	145.702.4	Ratchet						X	
5	144.415.1	Plastic Cable		X	X	X	X	X	Rd. 6 X 3.7m M16 X 210 B 16
6	901.151.1	Hex Head Bolt					X	X	
7	910.014.0	Spring Washer					X	X	
8	139.387.0	Spacer Tube					X	X	
9	143.158.2	Spindle		X	X				
10	144.450.1	Tension Spring		X	X				
11	145.643.2	Adjuster				X	X	X	
12	145.155.2	Tension Spring				X	X	X	
13	145.641.2	Adjuster				X	X	X	

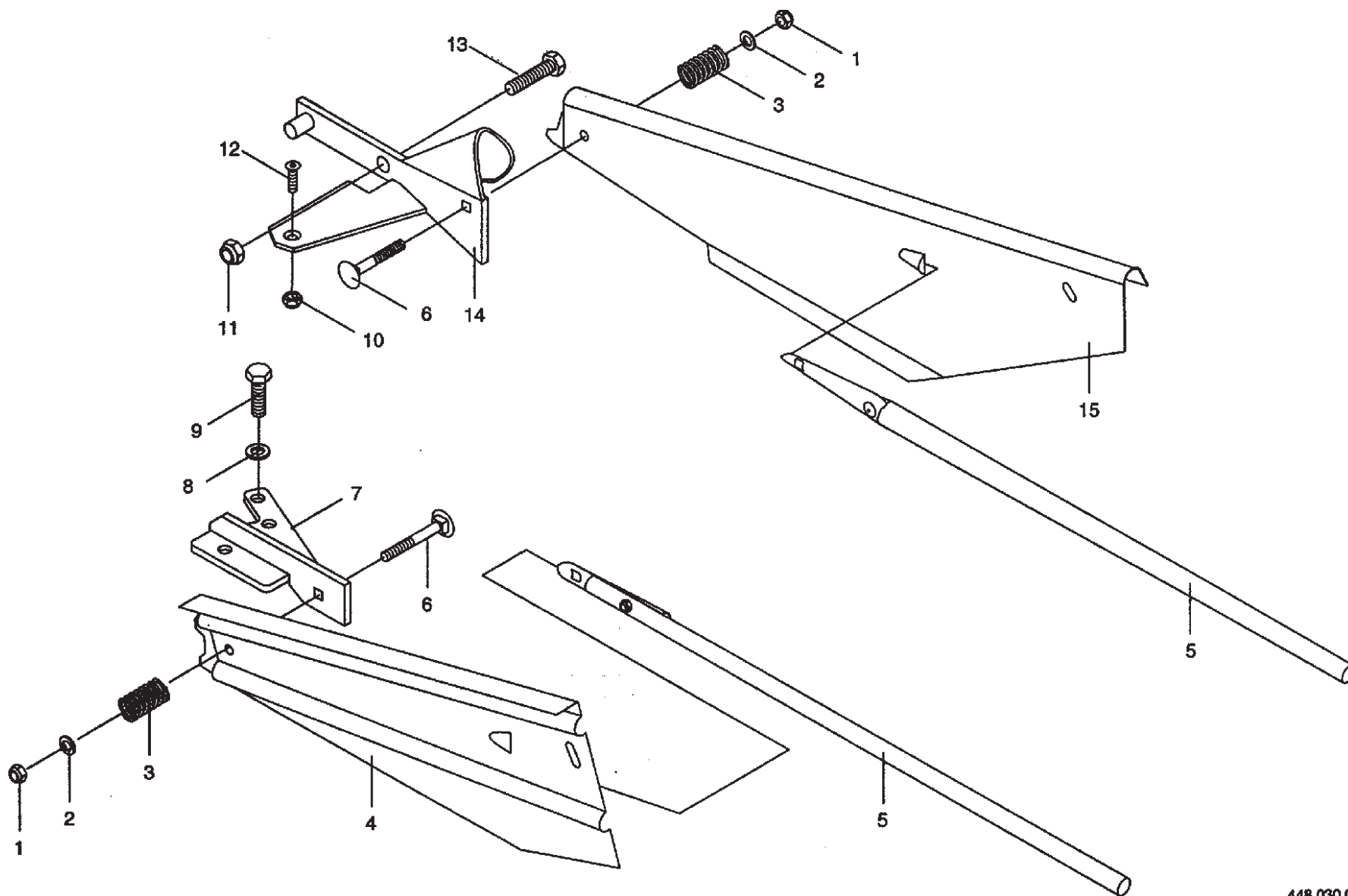


448 028 0

Safety Frame

Safety Frame

Item	Part Number	Description	Serial # Ranges	AM-167	AM-202	AM-242	AM-282	AM-322	Notes
1	145.163.3 145.164.4 145.165.4 145.166.4 139.206.0	Plastic Cloth Plastic Cloth Plastic Cloth Plastic Cloth Plastic Cloth		X	X	X	X	X	
2	145.275.4 145.153.5 139.120.0 145.276.6 139.207.0	Rear Safety Frame Rear Safety Frame Rear Safety Frame Rear Safety Frame Rear Safety Frame		X	X	X	X	X	
3	908.758.0	Hex Nut		X	X	X	X	X	NM10
4	901.423.0	Hex Head Bolt		X	X	X	X	X	M8 X 50
5	145.323.0	Elbow - Safety Frame		X	X	X	X	X	
6	908.716.1	Hex Nut		X	X	X	X	X	NM16
7	910.621.0	Washer		X	X	X	X	X	17.5 X 35 X 2
8	900.675.0	Hex Head Bolt		X	X	X	X	X	M16 X 40
9	908.758.0	Hex Nut			X	X	X		NM10
10	900.636.0	Hex Head Bolt			X	X	X		M10 X 25
11	145.325.0	Elbow			X	X	X		
12	145.308.3	Front Safety Frame		X					
	145.307.3 145.293.3 145.630.4 139.208.0	Front Safety Frame Front Safety Frame Front Safety Frame Front Safety Frame			X	X	X	X	
13	908.215.0	Hex Nut		X	X	X	X	X	M12
14	910.035.0	Spring Washer		X	X	X	X	X	B 12
15	910.506.0	Washer		X	X	X	X	X	14
16	145.180.2	Pin L/H		X	X	X	X	X	
17	904.882.1	Flat Round Bolt		X	X	X	X	X	M12 X 25

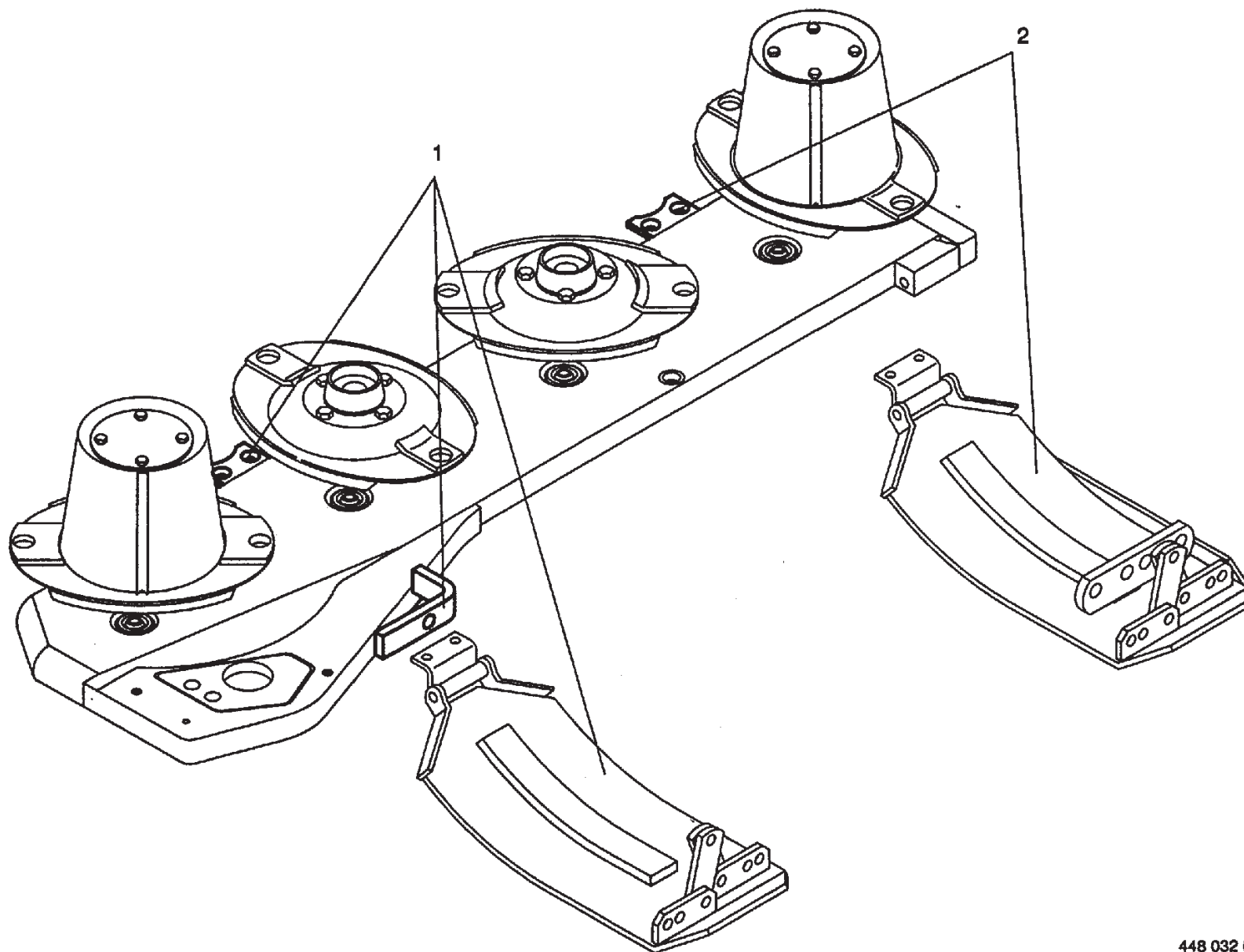


448 030 0

Swath Boards

Swath Boards

Item	Part Number	Description	Serial # Ranges	AM-167	AM-202	AM-242	AM-282	AM-322	Notes
1	908.711.1	Hex Nut		X	X	X	X	X	NM12 14 X 24 X 2.5
2	910.506.0	Washer		X	X	X	X	X	
3	015.242.0	Pressure Spring		X	X	X	X	X	
4	144.985.1	Swath Board L/H				X	X		
5	938.155.0	Wooden Rod		X	X	X	X	X	
6	904.995.1	Flat Round Bolt		X	X	X	X	X	M12 X 90 B 16 M16 X 45 NM10
7	145.993.0	Swath Board Holder L/H				X	X		
8	910.014.0	Spring Washer				X	X		
9	900.676.0	Hex Head Bolt				X	X		
10	908.758.0	Hex Nut		X	X	X	X	X	
11	908.716.1	Hex Nut		X	X	X	X	X	NM16 M10 X 30 M16 X 70
12	904.049.0	Countersunk Screw		X	X	X	X	X	
13	901.484.0	Hex Head Bolt		X	X	X	X	X	
14	139.083.0	Support		X	X	X	X	X	
15	139.080.0	Swath Board R/H		X	X	X	X	X	

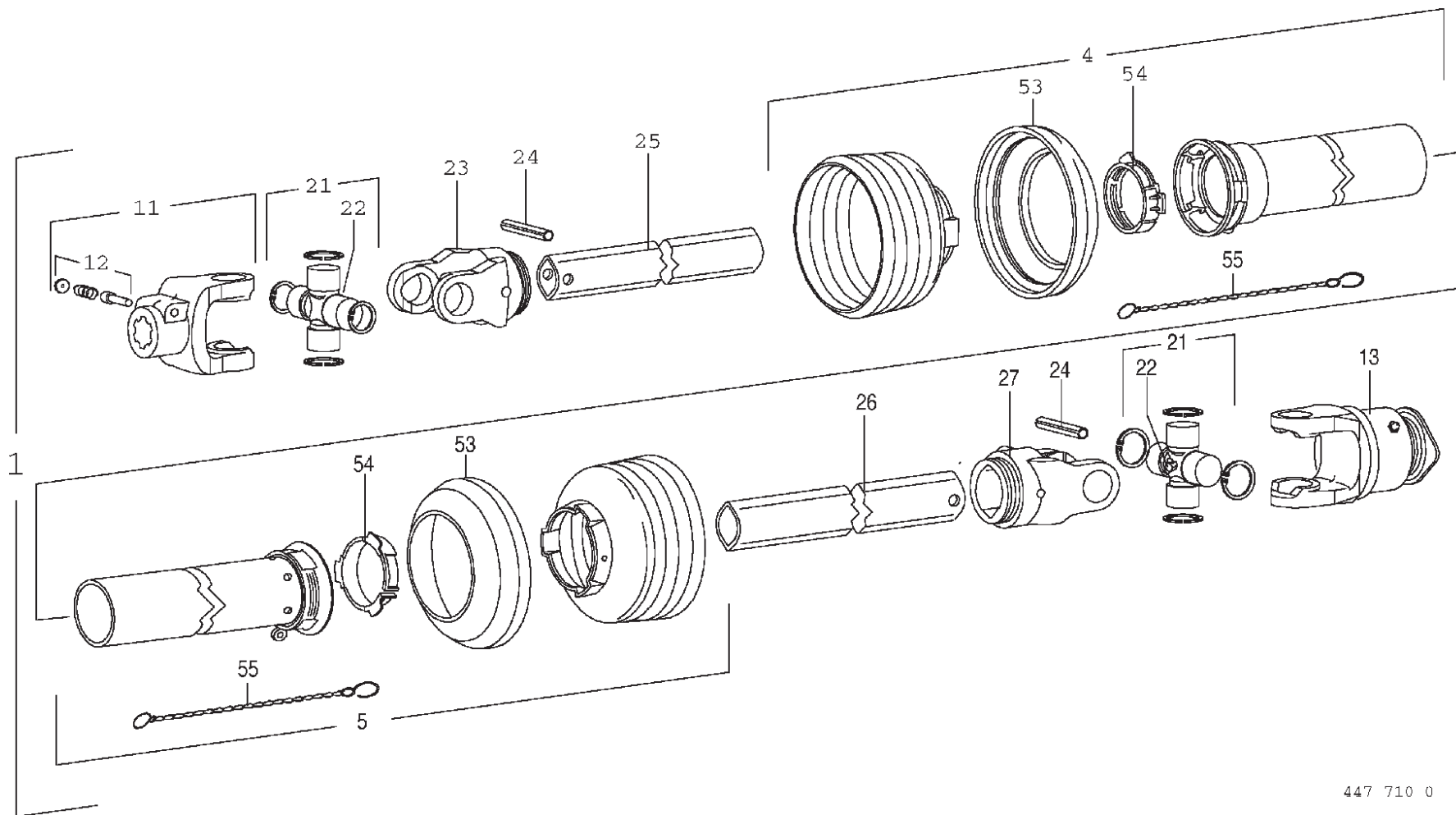


High Cut Skids

448 032 0

High Cut Skids

Item	Part Number	Description	Serial # Ranges	AM-167	AM-202	AM-242	AM-282	AM-322	Notes
1	145.801.1	Skid L/H		X	X	X	X	X	
2	145.802.1	Skid R/H		X	X	X	X	X	



447 710 0

PTO Shaft

PTO Shaft

Item	Part Number	Description	Serial # Ranges	AM-167	AM-202	AM-242	AM-282	AM-322	Notes
1	956.015.2	PTO Shaft Complete		X	X	X	X	X	W2300-SD15-810-F5/1R 1 3/8" - 6 Spline
4	949.945.0	Outer Guard Tube		X	X	X	X	X	
5	949.934.0	Inner Guard Tube		X	X	X	X	X	
11	949.463.0	Outer Yoke		X	X	X	X	X	
12	949.630.0	Locking Pin Complete		X	X	X	X	X	
13	949.351.0	Overrunning Clutch		X	X	X	X	X	F5/1R
21	949.462.0	Cross Kit		X	X	X	X	X	M8 X 1 10 X 65
22	949.629.0	Grease Fitting		X	X	X	X	X	
23	949.465.0	Grooved Yoke		X	X	X	X	X	
24	912.719.0	Roll Pin		X	X	X	X	X	
25	949.668.0	Profile Tube		X	X	X	X	X	
26	949.710.0	Profile Tube		X	X	X	X	X	
27	949.467.0	Grooved Yoke		X	X	X	X	X	
53	949.352.0	Ring		X	X	X	X	X	
54	949.863.0	Bearing Ring		X	X	X	X	X	
55	949.852.0	Chain		X	X	X	X	X	