

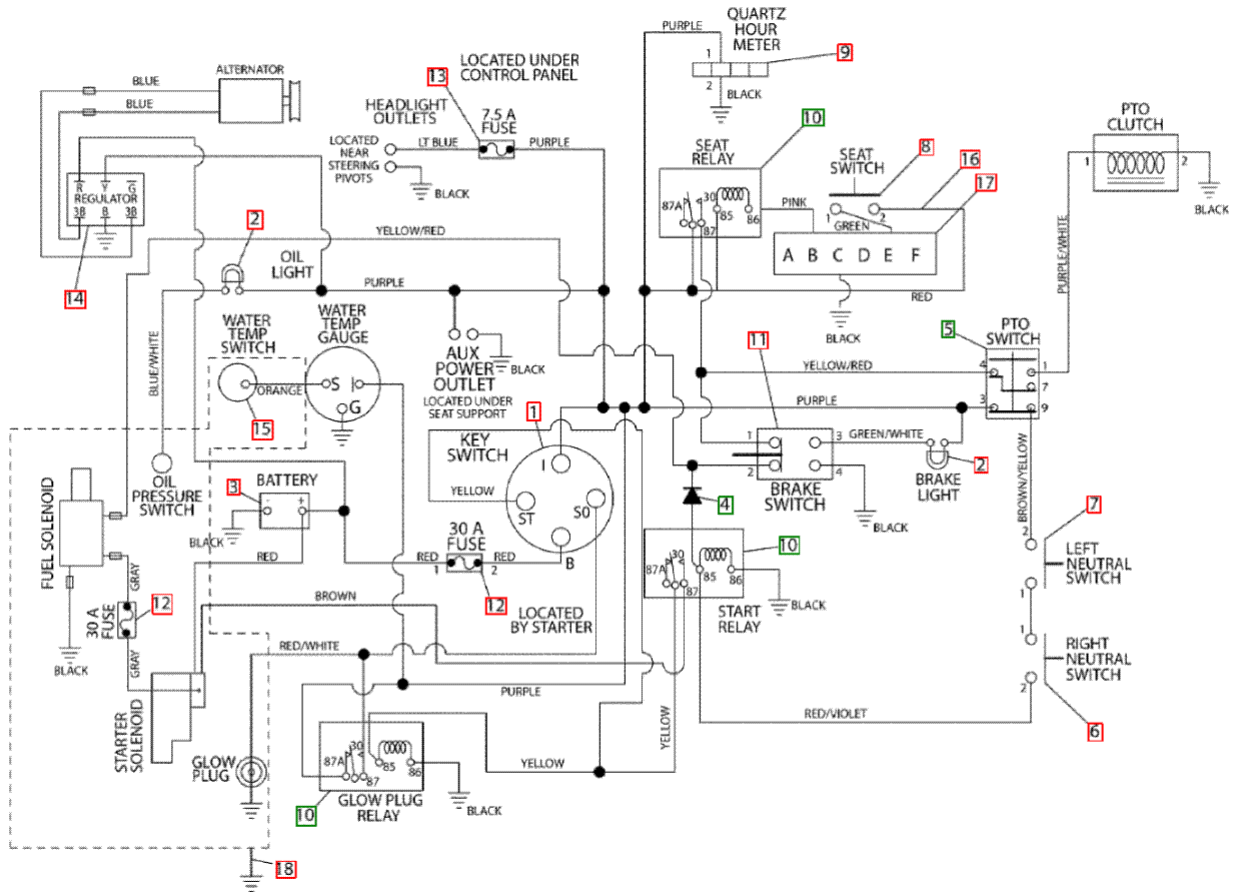
24A-07MM066 CSV 070 (2011)

VENDOR: Woods

SECTION: all parts

DIAGRAM: **wiring diagram kubota**

<https://www.messicks.com/wo/2266?sectionId=2266&diagramId=10117>



#	Title	Description	Part Number	Price	Stock
---	-------	-------------	-------------	-------	-------